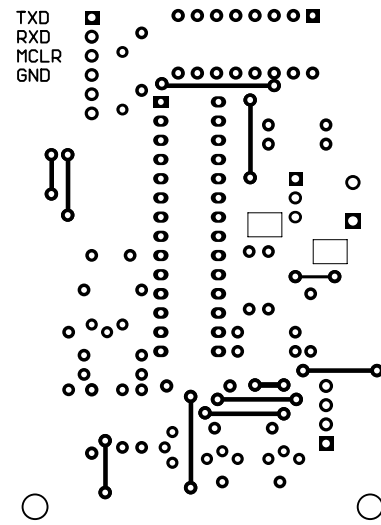
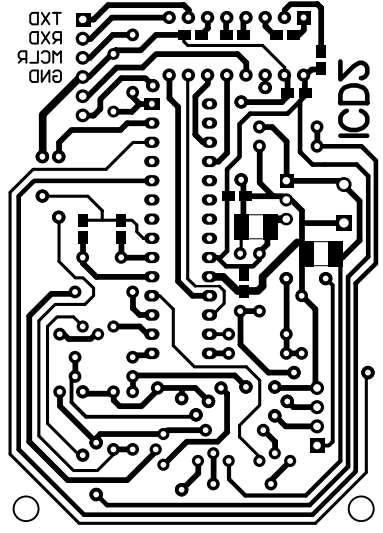
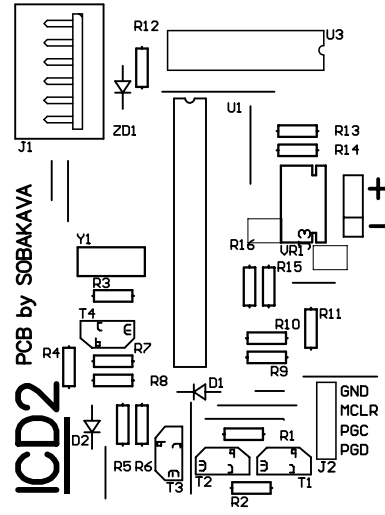


Based On Stolz.De.Be

Title		
<b>MICROCHIP ICD2 CLONE</b>		
Size	Number	Revision
A4	<b>SOBAKAVA</b>	
Date:	30/11/2004	Sheet of
File:	C:\Documents and Settings\... \ICD2_Sobakava.DSN	By:







ct  
c3  
c3  
c3  
c3  
c3  
c3

ct  
c3

c10  
c3  
c8  
c11